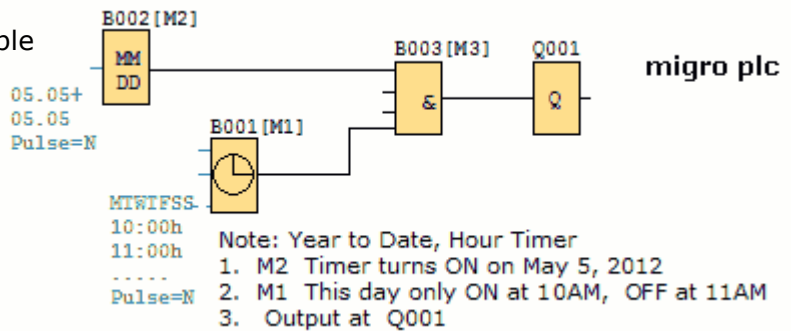
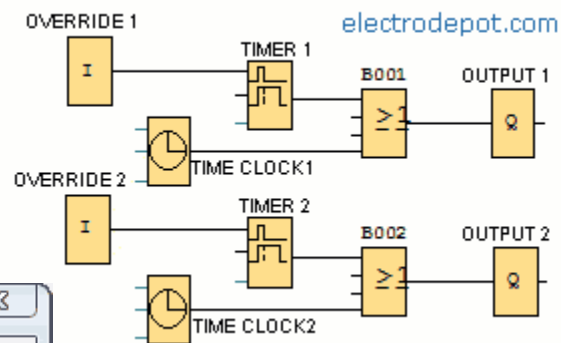


Real time clock timer programming, please refer to page 80 in the user manual

Single timer programming example



Dual (2) timer programming example



Click on to open the Menu

- Please check on the downloaded files the CD or USB in “Examples “ Practical ready to use applications

DISCLAIMER: Automation and Control Installations shall be performed by a certified professional